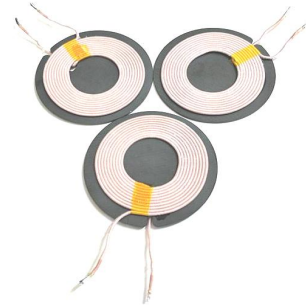




Wireless Power Charging Coil CKWR Series 无线充线圈 CKWR 系列

● FEATURES 特性

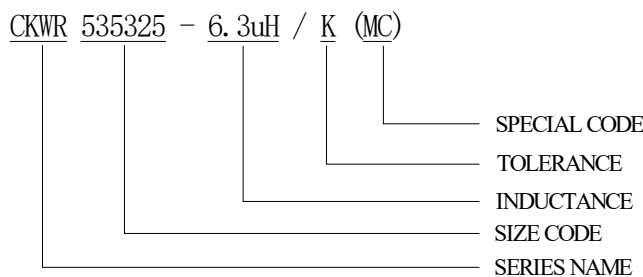
1. 尺寸, 形状, 性能以定制化为主;
Size, shape, characteristics customized ;
2. 薄型化设计.
Low profile.



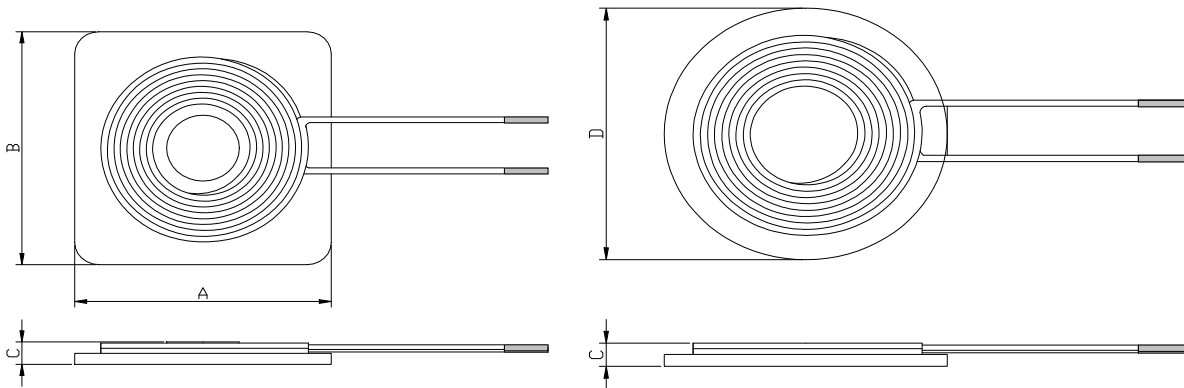
● APPLICATIONS 用途

适用于便携式电子设备, 如移动电话、DSCs等
Use for portable electronics device such as mobile phones and DSCs, etc

● PART NUMBERING SYSTEM 品名系统



● SHAPES AND DIMENSIONS 外形尺寸 (Unit:mm)



Type	Applications	A	B	C(Max)	D
CKWR535325-6.3uH/K	Tx	53	53	5.5	/
CKWR535325-6.3uH/K(MC)	Tx	53	53	5.5	/
CKWRD5010-6.3uH/K	Tx	/	/	4	Ø50
CKWR535325-24uH/K	Tx	53	53	5.5	/
CKWR535325-24uH/K(MC)	Tx	53	53	5.5	/
CKWRD5010-24uH/K	Tx	/	/	4	Ø50
CKWR535315-10uH/K	Tx	53	53	5	/
CKWR535315-8.9uH/K	Tx	53	53	5	/
CKWR1065325-12.5uH/K	Tx(3 Coil)	130	54.7	8	/
CKWR1005510-8.5uH/K	Tx(3 Coil)	100	55	4.5	/
CKWR945208-11.5uH/K	Tx(3 Coil)	108	52	5	/
CKWR483206-12uH/K	Rx	48	32	1.4	/
CKWR404008-8uH/K	Rx	40	40.0	2	/

● SPECIFICATION TABLE 规格特性表

Type	WPC-Qi	L(uH)@ 125kHz/10m A	I _{rms} .(A)	I _{sat} .(A)	The input voltage(V)
CKWR535325-6.3uH/K	A5	6.3	13	16	5
CKWR535325-6.3uH/K(MC)	A11	6.3	13	16	5
CKWRD5010-6.3uH/K	A11	6.3	6	12	5
CKWR535325-24uH/K	A1	24	6	10	19
CKWR535325-24uH/K(MC)	A10	24	6	10	19
CKWRD5010-24uH/K	A10	24	6	10	19
CKWR535315-10uH/K	A29	10	9	16	5
CKWR535315-8.9uH/K	A4	8.9	6	10	12
CKWR1065325-12.5uH/K	A6	11.5/12.5	9	10	12
CKWR1005510-8.5uH/K	A8	7.5/8.5	8.5	10	12
CKWR945208-11.5uH/K	/	11/11.5	8	12	12
CKWR483206-12uH/K	/	12	3	6	5
CKWR404008-8uH/K	/	8	5	7	5

Remark 备注:

(1) Operating Temperature Ranges: -25~105°C.

工作温度范围: -25~105°C.

(2) I_{sat}: DC current at which the inductance drops approximate 10% from its value without current;

I_{sat}: 在该直流电流下, 电感从其无电流值下降约10%;

(3) I_{rms}: DC current that causes the temperature rise ($\Delta T \approx 40^\circ\text{C}$) from 24°C ambient.

I_{rms}: 使电感温度升高($\Delta T \approx 40^\circ\text{C}$) 的直流电流, 环境温度为24°C。